



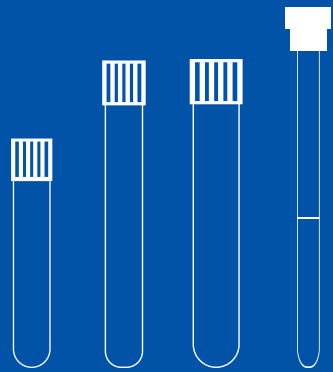
Vacuum • Non-Vacuum • Glass • Pet

# BLOOD COLLECTION TUBES

YONGYUE MEDICAL TECHNOLOGY (KUNSHAN) CO., LTD.

[WWW.YONYUE.COM](http://WWW.YONYUE.COM)

# TABLE OF CONTENTS



Company Profile .....	03
Workshop .....	04
Product Category .....	05
Useful Tips .....	06
Clot Activator .....	07
Gel & Clot Activator .....	08
K2EDTA .....	09
K3EDTA .....	10
Lithium Heparin .....	11
Sodium Heparin .....	12
EDTA+NAF .....	13
Sodium Citrate .....	14
ESR .....	15
No Additive .....	16
Non Vacuum Blood Collection Tubes & Micro Blood Collection Tubes .....	17
Labels .....	18
Product Photos .....	19
Contact Us .....	20

# Company Profile



“ALL-CHINA FEDERATION OF INDUSTRY&COMMERCE MEDICAL &PHARMACEUTICAL INDUSTRY CHAMBER” GOVERNING UNIT  
 “WHITE LIST” ENTERPRISE OF THE MINISTRY OF COMMERCE MEDICAL MATERIAL EXPORT

Yongyue Medical Technology (Kunshan) Co., Ltd. is a comprehensive high-tech enterprise integrating R&D, manufacturing, sales and service, focusing on the third category of medical devices and biomedical consumables (IVD in vitro diagnostic systems). The company is located in the High-tech Zone of Kunshan City, Jiangsu Province, covering an area of nearly 20,000 square meters and a building area of 12,000 square meters.

The company has completely independent product development, mold making, parts production, and finished product assembly full-process capabilities; it has an independent research and development team, and has an independent microbiology laboratory and physical and chemical laboratory of 10,000 square meters; the production workshop has been built with 5000 square meters and 100,000 Level purification workshop is equipped with nearly 40 imported all-electric injection molding machines and multiple fully automated assembly lines.

The company has passed the ISO13485:2016 quality system certification, and the products have passed the EU CE certification.

Yongyue Medical Technology takes "caring for human health" as its original intention and "improving the quality of life" as its mission. Adhering to the corporate core values of "caring for life, health-oriented; giving back to the society, cultural heritage", we will wholeheartedly provide high-quality products and first-class services to the majority of users in the medical and health industry. Yongyue Medical is your partner worthy of trust.



Yongyue Blood Collection Tube Ce Certificate



# Workshop



## Injection Workshop

Yongyue Medical can provide you with high quality products and services, was based on our own product development、 design、 mold making、 production、 assembly、 laboratory testing team and capabilities.



## Production Workshop

Labeling, filling, drying, vacuuming, capping and other processes are completed by automated machines.



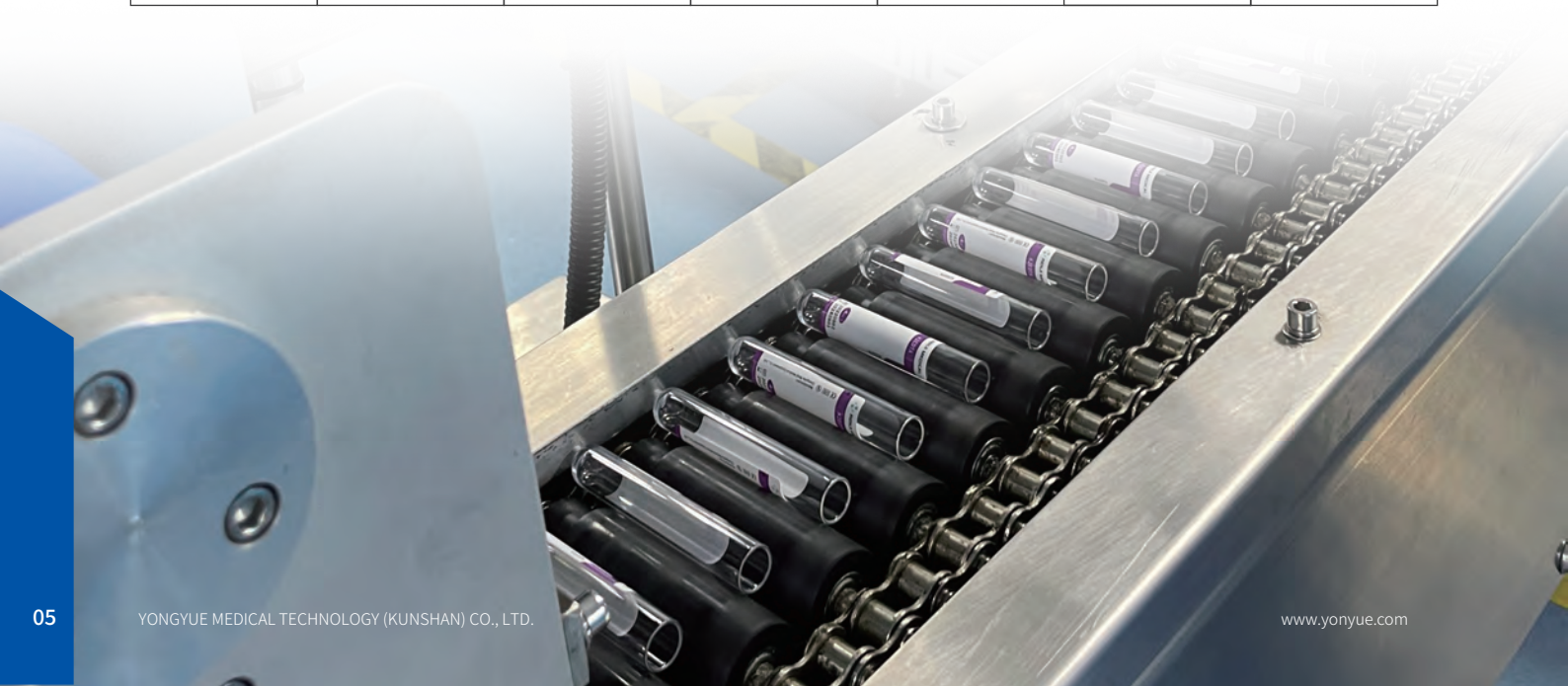
## R & D Center

Yongyue has its own R&D team and laboratory. At the same time, our quality inspection department will carry out strict product quality supervision.



# Product Category

Category	Tube Name	Additive	Cap Colour	Tube Size(mm)	Draw Volume (mL)	Material
Serum Blood Collection Tubes	No Additive	No Additive	 Red	13x75	3.5/4	Glass/Plastic
				13x100	5/6/7	
				16x100	8/9/10	
	Clot Activator	Clot Activator	 Red	13x75	3.5/4	Glass/Plastic
				13x100	5/6/7	
				16x100	8/9/10	
	Gel & Clot Activator	Gel & Clot Activator	 Yellow	13x75	3.5/4	Glass/Plastic
				13x100	5/6/7	
				16x100	8/9/10	
Plasma Blood Collection Tubes	EDTA & NaF	EDTA & NaF	 Grey	13x75	2/3/4	Glass/Plastic
				13x100	5	
				/	/	
	Lithium Heparin	Lithium Heparin	 Green	13x75	2/3/4	Glass/Plastic
				13x100	5/6/7	
				16x100	8/9/10	
	Sodium Heparin	Sodium Heparin	 Green	13x75	2/3/4	Glass/Plastic
				13x100	5/6/7	
				16x100	8/9/10	
	Sodium Citrate	Sodium Citrate	 Blue	13x75	2/3/4	Glass/Plastic
				13x100	5/6/7	
				16x100	8/9/10	
Whole Blood Collection Tubes	K2EDTA	K2EDTA	 Purple	13x75	1/2/3/4	Glass/Plastic
				13x100	5/6/7	
				16x100	8/9/10	
	K3EDTA	K3EDTA	 Purple	13x75	1/2/3/4	Glass/Plastic
				13x100	5/6/7	
				16x100	8/9/10	
	Na2EDTA	Na2EDTA	 Purple	13x75	1/2/3/4	Glass/Plastic
				13x100	5/6/7	
				16x100	8/9/10	
	ESR	Sodium Citrate	 Black	13x75	1.6/2/3/4	Glass/Plastic
				8x120	1.6	
				/	/	







## Useful Tips

Please pay special attention: the actual pipe diameter of our 13x75mm, 13x100mm pipe size is about 12.3mm. That is, 13x75mm is actually 12.3x75mm, and 13x100mm is actually 12.3x100mm. This is a common situation in the industry, not a quality issue.

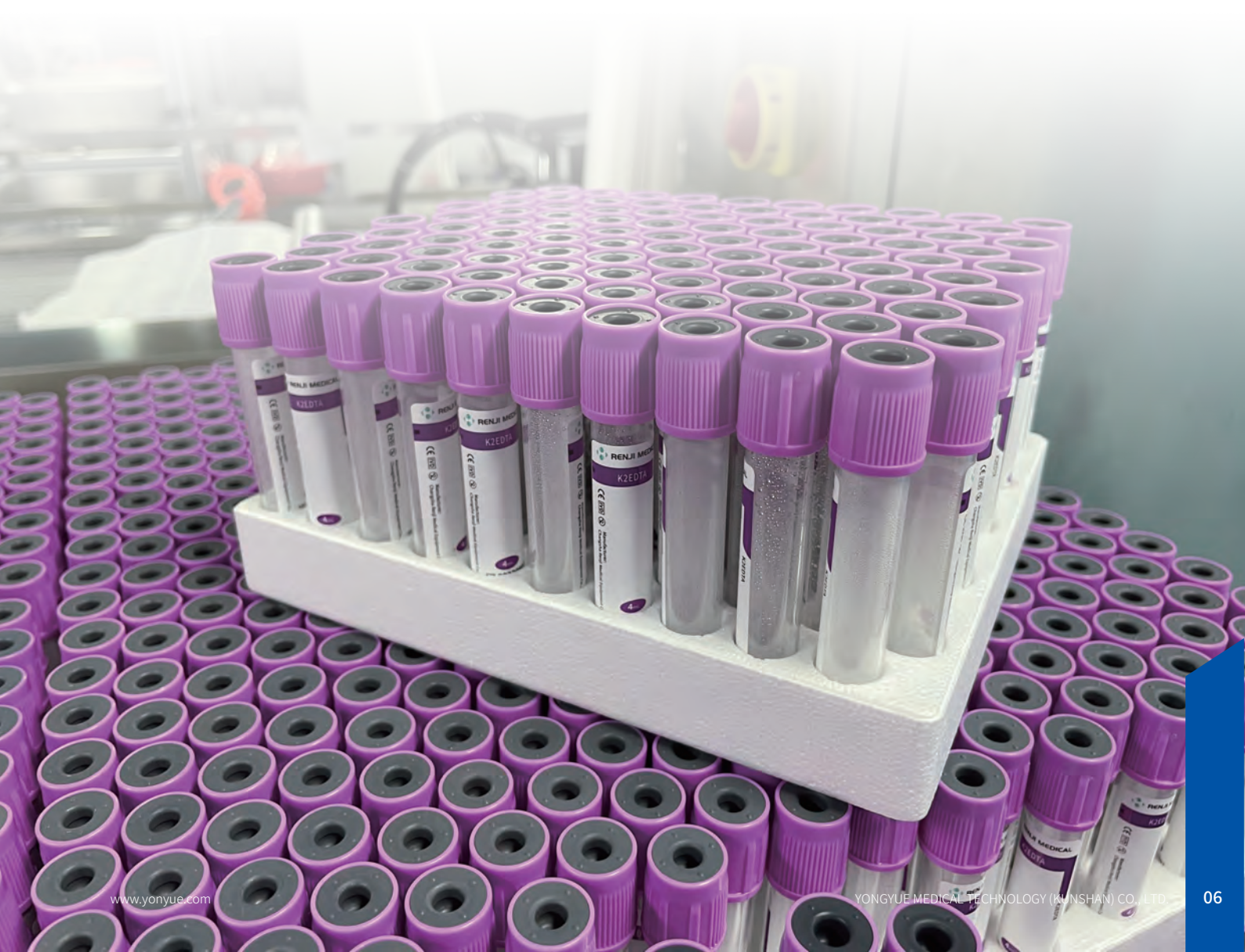
Yongyue blood collection tubes use paper labels by default, The product packing specification is 1200PCS/Carton.

In this booklet, REF refers to the unique number of the goods. It is also commonly called "Catalog number (Cat No.)", "Product Code", "Item No.", "Article No."

Yongyue can provide customized production, but usually requires large order quantities.

This booklet provides common types of blood collection tubes, if you need other additives or draw volume, please contact us.

If the content of this album is inconsistent with the product manual or the signed contract terms, please refer to the manual or contract terms.





## Clot Activator

Clot Activator Tubes are covered with clot activator powder to accelerate blood coagulation.

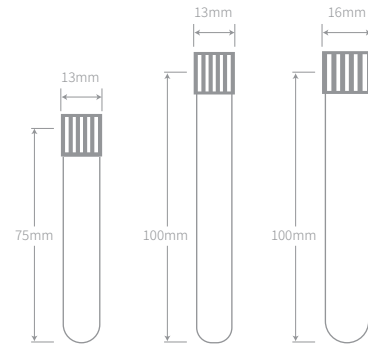
Silica (clot activator) is used as the activator. Serum is a substance freed from the fibrinogen but containing fragments of thrombocyte and product of the metabolism.

**Usage:** to research serum in the clinical chemistry, immunology, serology, protein electrophoresis.

**Specimen:** serum.

**Clotting time:** from 10 to 30 minutes.

**Conditions of centrifugation:** 1500-1800 g for 10 minutes.



REF	Additive	Cap Colour	Tube Size (mm)	Draw Volume (mL)	Tube Material	Pack/Carton	Label
YY1804103-5P	Clot Activator	● Red	13x75	3.5mL	PET	100PCS/1200PCS	Paper/Transparent
YY1804103-5G	Clot Activator	● Red	13x75	3.5mL	GLASS	100PCS/1200PCS	Paper/Transparent
YY1804104-0P	Clot Activator	● Red	13x75	4mL	PET	100PCS/1200PCS	Paper/Transparent
YY1804104-0G	Clot Activator	● Red	13x75	4mL	GLASS	100PCS/1200PCS	Paper/Transparent
YY1804205-0P	Clot Activator	● Red	13x100	5mL	PET	100PCS/1200PCS	Paper/Transparent
YY1804205-0G	Clot Activator	● Red	13x100	5mL	GLASS	100PCS/1200PCS	Paper/Transparent
YY1804206-0P	Clot Activator	● Red	13x100	6mL	PET	100PCS/1200PCS	Paper/Transparent
YY1804206-0G	Clot Activator	● Red	13x100	6mL	GLASS	100PCS/1200PCS	Paper/Transparent
YY1804207-0P	Clot Activator	● Red	13x100	7mL	PET	100PCS/1200PCS	Paper/Transparent
YY1804207-0G	Clot Activator	● Red	13x100	7mL	GLASS	100PCS/1200PCS	Paper/Transparent
YY1804308-0P	Clot Activator	● Red	16x100	8mL	PET	100PCS/1200PCS	Paper/Transparent
YY1804308-0G	Clot Activator	● Red	16x100	8mL	GLASS	100PCS/1200PCS	Paper/Transparent
YY1804309-0P	Clot Activator	● Red	16x100	9mL	PET	100PCS/1200PCS	Paper/Transparent
YY1804309-0G	Clot Activator	● Red	16x100	9mL	GLASS	100PCS/1200PCS	Paper/Transparent
YY1804310-0P	Clot Activator	● Red	16x100	10mL	PET	100PCS/1200PCS	Paper/Transparent
YY1804310-0G	Clot Activator	● Red	16x100	10mL	GLASS	100PCS/1200PCS	Paper/Transparent



## Gel & Clot Activator

As the activator it is used silica dioxide and biologically inert olefin gel.

Gel provides the separation of serum and clot up to 48 hours without re- centrifugation.

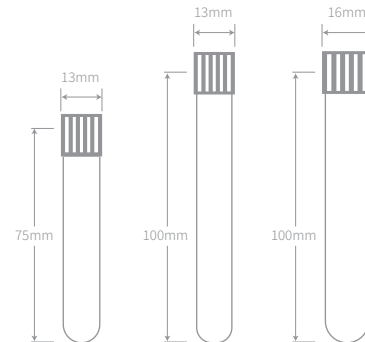
Gel is the special material intended for formation of barrier between cellular components of blood and serum during centrifugation.

**Usage:** to research serum in the clinical chemistry, immunology, serology, protein electrophoresis.

**Specimen:** serum.

**Clotting time:** from 5 to 30 minutes.

**Conditions of centrifugation:** 1800-2000 g for 10 minutes.



REF	Additive	Cap Colour	Tube Size (mm)	Draw Volume (mL)	Tube Material	Pack/Carton	Label
YY1805103-5P	Gel & Clot Activator	● Yellow	13x75	3.5mL	PET	100PCS/1200PCS	Paper/Transparent
YY1805103-5G	Gel & Clot Activator	● Yellow	13x75	3.5mL	GLASS	100PCS/1200PCS	Paper/Transparent
YY1805104-0P	Gel & Clot Activator	● Yellow	13x75	4mL	PET	100PCS/1200PCS	Paper/Transparent
YY1805104-0G	Gel & Clot Activator	● Yellow	13x75	4mL	GLASS	100PCS/1200PCS	Paper/Transparent
YY1805205-0P	Gel & Clot Activator	● Yellow	13x100	5mL	PET	100PCS/1200PCS	Paper/Transparent
YY1805205-0G	Gel & Clot Activator	● Yellow	13x100	5mL	GLASS	100PCS/1200PCS	Paper/Transparent
YY1805206-0P	Gel & Clot Activator	● Yellow	13x100	6mL	PET	100PCS/1200PCS	Paper/Transparent
YY1805206-0G	Gel & Clot Activator	● Yellow	13x100	6mL	GLASS	100PCS/1200PCS	Paper/Transparent
YY1805207-0P	Gel & Clot Activator	● Yellow	13x100	7mL	PET	100PCS/1200PCS	Paper/Transparent
YY1805207-0G	Gel & Clot Activator	● Yellow	13x100	7mL	GLASS	100PCS/1200PCS	Paper/Transparent
YY1805308-0P	Gel & Clot Activator	● Yellow	16x100	8mL	PET	100PCS/1200PCS	Paper/Transparent
YY1805308-0G	Gel & Clot Activator	● Yellow	16x100	8mL	GLASS	100PCS/1200PCS	Paper/Transparent
YY1805309-0P	Gel & Clot Activator	● Yellow	16x100	9mL	PET	100PCS/1200PCS	Paper/Transparent
YY1805309-0G	Gel & Clot Activator	● Yellow	16x100	9mL	GLASS	100PCS/1200PCS	Paper/Transparent
YY1805310-0P	Gel & Clot Activator	● Yellow	16x100	10mL	PET	100PCS/1200PCS	Paper/Transparent
YY1805310-0G	Gel & Clot Activator	● Yellow	16x100	10mL	GLASS	100PCS/1200PCS	Paper/Transparent





## K2EDTA

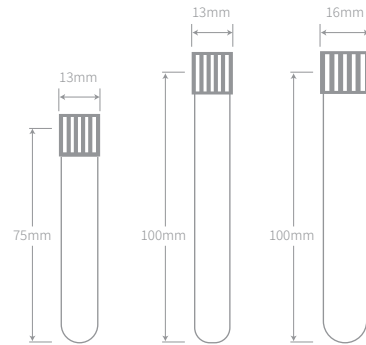
Intended to be used in hematology laboratory for withdrawing Whole blood or EDTA Plasma in order to examine various kinds of blood cells.

Tubes manufactured using transparent PET or Glass. Caps manufactured using polyethylene.

**Specimen:** whole blood.

After taking blood into the tube it should be mixed by turning 6-8 times. Lack of mixing can also cause platelet aggregation, coagulation or formation of micro clots.

■ In addition, we can provide EDTA blood collection tubes with Na<sub>2</sub>EDTA as additive. If you need to order, please contact our sales manager.



REF	Additive	Cap Colour	Tube Size (mm)	Draw Volume (mL)	Tube Material	Pack/Carton	Label
YY1802101-0P	K2EDTA	● Purple	13x75	1mL	PET	100PCS/1200PCS	Paper/Transparent
YY1802101-0G	K2EDTA	● Purple	13x75	1mL	GLASS	100PCS/1200PCS	Paper/Transparent
YY1802102-0P	K2EDTA	● Purple	13x75	2mL	PET	100PCS/1200PCS	Paper/Transparent
YY1802102-0G	K2EDTA	● Purple	13x75	2mL	GLASS	100PCS/1200PCS	Paper/Transparent
YY1802103-0P	K2EDTA	● Purple	13x75	3mL	PET	100PCS/1200PCS	Paper/Transparent
YY1802103-0G	K2EDTA	● Purple	13x75	3mL	GLASS	100PCS/1200PCS	Paper/Transparent
YY1802104-0P	K2EDTA	● Purple	13x75	4mL	PET	100PCS/1200PCS	Paper/Transparent
YY1802104-0G	K2EDTA	● Purple	13x75	4mL	GLASS	100PCS/1200PCS	Paper/Transparent
YY1802205-0P	K2EDTA	● Purple	13x100	5mL	PET	100PCS/1200PCS	Paper/Transparent
YY1802205-0G	K2EDTA	● Purple	13x100	5mL	GLASS	100PCS/1200PCS	Paper/Transparent
YY1802206-0P	K2EDTA	● Purple	13x100	6mL	PET	100PCS/1200PCS	Paper/Transparent
YY1802206-0G	K2EDTA	● Purple	13x100	6mL	GLASS	100PCS/1200PCS	Paper/Transparent
YY1802207-0P	K2EDTA	● Purple	13x100	7mL	PET	100PCS/1200PCS	Paper/Transparent
YY1802207-0G	K2EDTA	● Purple	13x100	7mL	GLASS	100PCS/1200PCS	Paper/Transparent
YY1802308-0P	K2EDTA	● Purple	16x100	8mL	PET	100PCS/1200PCS	Paper/Transparent
YY1802308-0G	K2EDTA	● Purple	16x100	8mL	GLASS	100PCS/1200PCS	Paper/Transparent
YY1802309-0P	K2EDTA	● Purple	16x100	9mL	PET	100PCS/1200PCS	Paper/Transparent
YY1802309-0G	K2EDTA	● Purple	16x100	9mL	GLASS	100PCS/1200PCS	Paper/Transparent
YY1802310-0P	K2EDTA	● Purple	16x100	10mL	PET	100PCS/1200PCS	Paper/Transparent
YY1802310-0G	K2EDTA	● Purple	16x100	10mL	GLASS	100PCS/1200PCS	Paper/Transparent



## K3EDTA

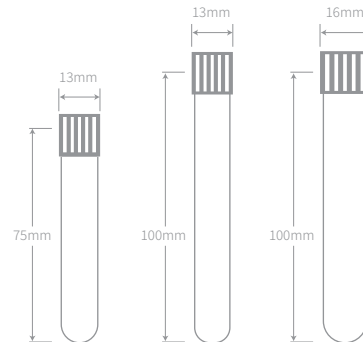
Intended to be used in hematology laboratory for withdrawing Whole blood or EDTA Plasma in order to examine various kinds of blood cells.

Tubes manufactured using transparent PET or Glass. Caps manufactured using polyethylene.

**Specimen:** whole blood.

After taking blood into the tube it should be mixed by turning 6-8 times. Lack of mixing can also cause platelet aggregation, coagulation or formation of micro clots.

In addition, we can provide EDTA blood collection tubes with Na<sub>2</sub>EDTA as additive. If you need to order, please contact our sales manager.



REF	Additive	Cap Colour	Tube Size (mm)	Draw Volume (mL)	Tube Material	Pack/Carton	Label
YY1803101-0P	K3EDTA	Purple	13x75	1mL	PET	100PCS/1200PCS	Paper/Transparent
YY1803101-0G	K3EDTA	Purple	13x75	1mL	GLASS	100PCS/1200PCS	Paper/Transparent
YY1803102-0P	K3EDTA	Purple	13x75	2mL	PET	100PCS/1200PCS	Paper/Transparent
YY1803102-0G	K3EDTA	Purple	13x75	2mL	GLASS	100PCS/1200PCS	Paper/Transparent
YY1803103-0P	K3EDTA	Purple	13x75	3mL	PET	100PCS/1200PCS	Paper/Transparent
YY1803103-0G	K3EDTA	Purple	13x75	3mL	GLASS	100PCS/1200PCS	Paper/Transparent
YY1803104-0P	K3EDTA	Purple	13x75	4mL	PET	100PCS/1200PCS	Paper/Transparent
YY1803104-0G	K3EDTA	Purple	13x75	4mL	GLASS	100PCS/1200PCS	Paper/Transparent
YY1803205-0P	K3EDTA	Purple	13x100	5mL	PET	100PCS/1200PCS	Paper/Transparent
YY1803205-0G	K3EDTA	Purple	13x100	5mL	GLASS	100PCS/1200PCS	Paper/Transparent
YY1803206-0P	K3EDTA	Purple	13x100	6mL	PET	100PCS/1200PCS	Paper/Transparent
YY1803206-0G	K3EDTA	Purple	13x100	6mL	GLASS	100PCS/1200PCS	Paper/Transparent
YY1803207-0P	K3EDTA	Purple	13x100	7mL	PET	100PCS/1200PCS	Paper/Transparent
YY1803207-0G	K3EDTA	Purple	13x100	7mL	GLASS	100PCS/1200PCS	Paper/Transparent
YY1803308-0P	K3EDTA	Purple	16x100	8mL	PET	100PCS/1200PCS	Paper/Transparent
YY1803308-0G	K3EDTA	Purple	16x100	8mL	GLASS	100PCS/1200PCS	Paper/Transparent
YY1803309-0P	K3EDTA	Purple	16x100	9mL	PET	100PCS/1200PCS	Paper/Transparent
YY1803309-0G	K3EDTA	Purple	16x100	9mL	GLASS	100PCS/1200PCS	Paper/Transparent
YY1803310-0P	K3EDTA	Purple	16x100	10mL	PET	100PCS/1200PCS	Paper/Transparent
YY1803310-0G	K3EDTA	Purple	16x100	10mL	GLASS	100PCS/1200PCS	Paper/Transparent



## Lithium Heparin

Heparin is a natural anticoagulant which presents in any healthy body. Heparin is used to take the plasma and in chemical researches.

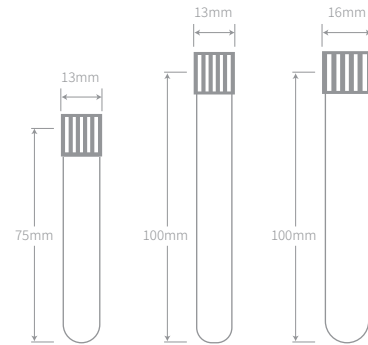
Heparin Blood Collection Tubes are intended to be used for analysis of blood withdrawn from patients under anticoagulant therapy.

The anticoagulant heparin activates antithrombin, thus blocking the coagulation cascade and producing a whole blood / plasma sample making it ideal for the analysis.

Tubes manufactured using transparent PET or Glass. Caps manufactured using polyethylene.

**Specimen:** heparin plasma.

**Conditions of centrifugation:** 1300 g for 10 minutes.



REF	Additive	Cap Colour	Tube Size (mm)	Draw Volume (mL)	Tube Material	Pack/Carton	Label
YY1806102-0P	Lithium Heparin	● Green	13x75	2mL	PET	100PCS/1200PCS	Paper/Transparent
YY1806102-0G	Lithium Heparin	● Green	13x75	2mL	GLASS	100PCS/1200PCS	Paper/Transparent
YY1806103-0P	Lithium Heparin	● Green	13x75	3mL	PET	100PCS/1200PCS	Paper/Transparent
YY1806103-0G	Lithium Heparin	● Green	13x75	3mL	GLASS	100PCS/1200PCS	Paper/Transparent
YY1806104-0P	Lithium Heparin	● Green	13x75	4mL	PET	100PCS/1200PCS	Paper/Transparent
YY1806104-0G	Lithium Heparin	● Green	13x75	4mL	GLASS	100PCS/1200PCS	Paper/Transparent
YY1806205-0P	Lithium Heparin	● Green	13x100	5mL	PET	100PCS/1200PCS	Paper/Transparent
YY1806205-0G	Lithium Heparin	● Green	13x100	5mL	GLASS	100PCS/1200PCS	Paper/Transparent
YY1806206-0P	Lithium Heparin	● Green	13x100	6mL	PET	100PCS/1200PCS	Paper/Transparent
YY1806206-0G	Lithium Heparin	● Green	13x100	6mL	GLASS	100PCS/1200PCS	Paper/Transparent
YY1806207-0P	Lithium Heparin	● Green	13x100	7mL	PET	100PCS/1200PCS	Paper/Transparent
YY1806207-0G	Lithium Heparin	● Green	13x100	7mL	GLASS	100PCS/1200PCS	Paper/Transparent
YY1806308-0P	Lithium Heparin	● Green	16x100	8mL	PET	100PCS/1200PCS	Paper/Transparent
YY1806308-0G	Lithium Heparin	● Green	16x100	8mL	GLASS	100PCS/1200PCS	Paper/Transparent
YY1806309-0P	Lithium Heparin	● Green	16x100	9mL	PET	100PCS/1200PCS	Paper/Transparent
YY1806309-0G	Lithium Heparin	● Green	16x100	9mL	GLASS	100PCS/1200PCS	Paper/Transparent
YY1806310-0P	Lithium Heparin	● Green	16x100	10mL	PET	100PCS/1200PCS	Paper/Transparent
YY1806310-0G	Lithium Heparin	● Green	16x100	10mL	GLASS	100PCS/1200PCS	Paper/Transparent



## Sodium Heparin

Heparin is a natural anticoagulant which presents in any healthy body. Heparin is used to take the plasma and in chemical researches.

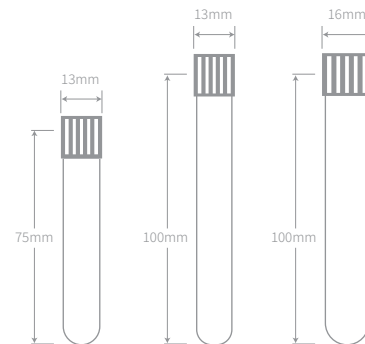
Heparin Blood Collection Tubes are intended to be used for analysis of blood withdrawn from patients under anticoagulant therapy.

The anticoagulant heparin activates antithrombin, thus blocking the coagulation cascade and producing a whole blood / plasma sample making it ideal for the analysis.

Tubes manufactured using transparent PET or Glass. Caps manufactured using polyethylene.

**Specimen:** heparin plasma.

**Conditions of centrifugation:** 1300 g for 10 minutes.



REF	Additive	Cap Colour	Tube Size (mm)	Draw Volume (mL)	Tube Material	Pack/Carton	Label
YY1807102-0P	Sodium Heparin	● Green	13x75	2mL	PET	100PCS/1200PCS	Paper/Transparent
YY1807102-0G	Sodium Heparin	● Green	13x75	2mL	GLASS	100PCS/1200PCS	Paper/Transparent
YY1807103-0P	Sodium Heparin	● Green	13x75	3mL	PET	100PCS/1200PCS	Paper/Transparent
YY1807103-0G	Sodium Heparin	● Green	13x75	3mL	GLASS	100PCS/1200PCS	Paper/Transparent
YY1807104-0P	Sodium Heparin	● Green	13x75	4mL	PET	100PCS/1200PCS	Paper/Transparent
YY1807104-0G	Sodium Heparin	● Green	13x75	4mL	GLASS	100PCS/1200PCS	Paper/Transparent
YY1807205-0P	Sodium Heparin	● Green	13x100	5mL	PET	100PCS/1200PCS	Paper/Transparent
YY1807205-0G	Sodium Heparin	● Green	13x100	5mL	GLASS	100PCS/1200PCS	Paper/Transparent
YY1807206-0P	Sodium Heparin	● Green	13x100	6mL	PET	100PCS/1200PCS	Paper/Transparent
YY1807206-0G	Sodium Heparin	● Green	13x100	6mL	GLASS	100PCS/1200PCS	Paper/Transparent
YY1807207-0P	Sodium Heparin	● Green	13x100	7mL	PET	100PCS/1200PCS	Paper/Transparent
YY1807207-0G	Sodium Heparin	● Green	13x100	7mL	GLASS	100PCS/1200PCS	Paper/Transparent
YY1807308-0P	Sodium Heparin	● Green	16x100	8mL	PET	100PCS/1200PCS	Paper/Transparent
YY1807308-0G	Sodium Heparin	● Green	16x100	8mL	GLASS	100PCS/1200PCS	Paper/Transparent
YY1807309-0P	Sodium Heparin	● Green	16x100	9mL	PET	100PCS/1200PCS	Paper/Transparent
YY1807309-0G	Sodium Heparin	● Green	16x100	9mL	GLASS	100PCS/1200PCS	Paper/Transparent
YY1807310-0P	Sodium Heparin	● Green	16x100	10mL	PET	100PCS/1200PCS	Paper/Transparent
YY180710-0G	Sodium Heparin	● Green	16x100	10mL	GLASS	100PCS/1200PCS	Paper/Transparent



## EDTA & NaF

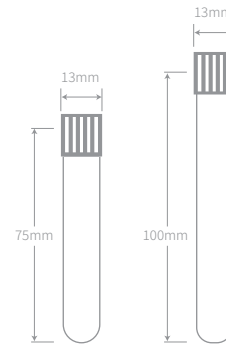
EDTA & NaF Blood Collection Tubes is also called blood glucose tube or fluoride tube. EDTA & NaF Blood Collection Tubes are intended to be used for specially glucose blood tests.

Tubes are recommended for glucose analysis when transportation time is crucial. Tubes contain fluoride as a glycolysis inhibitor and EDTA as anticoagulant.

**Usage:** EDTA & NaF Tubes are used for glucose determinations like blood sugar, sugar tolerance.

**Specimen:** plasma.

**Conditions of centrifugation:** 1300 g for 10 minutes. Centrifugation should be made right after taking the blood into the tubes.



REF	Additive	Cap Colour	Tube Size (mm)	Draw Volume (mL)	Tube Material	Pack/Carton	Label
YY1808102-0P	EDTA & NaF	● Grey	13x75	2mL	PET	100PCS/1200PCS	Paper/Transparent
YY1808102-0G	EDTA & NaF	● Grey	13x75	2mL	GLASS	100PCS/1200PCS	Paper/Transparent
YY1808103-0P	EDTA & NaF	● Grey	13x75	3mL	PET	100PCS/1200PCS	Paper/Transparent
YY1808103-0G	EDTA & NaF	● Grey	13x75	3mL	GLASS	100PCS/1200PCS	Paper/Transparent
YY1808104-0P	EDTA & NaF	● Grey	13x75	4mL	PET	100PCS/1200PCS	Paper/Transparent
YY1808104-0G	EDTA & NaF	● Grey	13x75	4mL	GLASS	100PCS/1200PCS	Paper/Transparent
YY1808205-0P	EDTA & NaF	● Grey	13x100	5mL	PET	100PCS/1200PCS	Paper/Transparent
YY1808205-0G	EDTA & NaF	● Grey	13x100	5mL	GLASS	100PCS/1200PCS	Paper/Transparent





## Sodium Citrate

Sodium Citrate Blood Collection Tubes are also known as Coagulation Tubes or Citrate Tubes. Sodium Citrate Blood Collection Tubes are used to collect venous blood for coagulation tests.

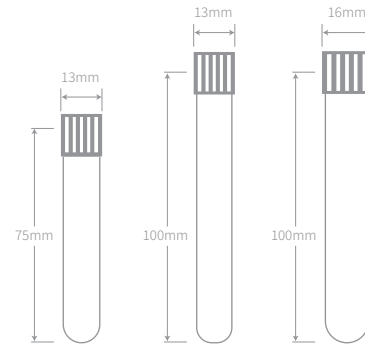
Sodium Citrate Tubes have a buffered sodium citrate solution of 0.109 mol/l (3.2%) or 0.129 mol/l (3.8%).

**Usage:** to research the hemostatic system.

**Specimen:** plasma.

**Conditions of centrifugation:** 2000-2500 g for 10-15 minutes.

Immediately after taking the blood into the tube with citrate it must be carefully mixed at least 5 times to prevent micro clots.



REF	Additive	Cap Colour	Tube Size (mm)	Draw Volume (mL)	Tube Material	Pack/Carton	Label
YY1809101-8P	Sodium Citrate	Blue	13x75	1.8mL	PET	100PCS/1200PCS	Paper/Transparent
YY1809101-8G	Sodium Citrate	Blue	13x75	1.8mL	GLASS	100PCS/1200PCS	Paper/Transparent
YY1809102-0P	Sodium Citrate	Blue	13x75	2mL	PET	100PCS/1200PCS	Paper/Transparent
YY1809102-0G	Sodium Citrate	Blue	13x75	2mL	GLASS	100PCS/1200PCS	Paper/Transparent
YY1809103-0P	Sodium Citrate	Blue	13x75	3mL	PET	100PCS/1200PCS	Paper/Transparent
YY1809103-0G	Sodium Citrate	Blue	13x75	3mL	GLASS	100PCS/1200PCS	Paper/Transparent
YY1809104-0P	Sodium Citrate	Blue	13x75	4mL	PET	100PCS/1200PCS	Paper/Transparent
YY1809104-0G	Sodium Citrate	Blue	13x75	4mL	GLASS	100PCS/1200PCS	Paper/Transparent
YY1809205-0P	Sodium Citrate	Blue	13x100	5mL	PET	100PCS/1200PCS	Paper/Transparent
YY1809205-0G	Sodium Citrate	Blue	13x100	5mL	GLASS	100PCS/1200PCS	Paper/Transparent
YY1809206-0P	Sodium Citrate	Blue	13x100	6mL	PET	100PCS/1200PCS	Paper/Transparent
YY1809206-0G	Sodium Citrate	Blue	13x100	6mL	GLASS	100PCS/1200PCS	Paper/Transparent
YY1809207-0P	Sodium Citrate	Blue	13x100	7mL	PET	100PCS/1200PCS	Paper/Transparent
YY1809207-0G	Sodium Citrate	Blue	13x100	7mL	GLASS	100PCS/1200PCS	Paper/Transparent
YY1809308-0P	Sodium Citrate	Blue	16x100	8mL	PET	100PCS/1200PCS	Paper/Transparent
YY1809308-0G	Sodium Citrate	Blue	16x100	8mL	GLASS	100PCS/1200PCS	Paper/Transparent
YY1809309-0P	Sodium Citrate	Blue	16x100	9mL	PET	100PCS/1200PCS	Paper/Transparent
YY1809309-0G	Sodium Citrate	Blue	16x100	9mL	GLASS	100PCS/1200PCS	Paper/Transparent
YY1809310-0P	Sodium Citrate	Blue	16x100	10mL	PET	100PCS/1200PCS	Paper/Transparent
YY1809310-0G	Sodium Citrate	Blue	16x100	10mL	GLASS	100PCS/1200PCS	Paper/Transparent



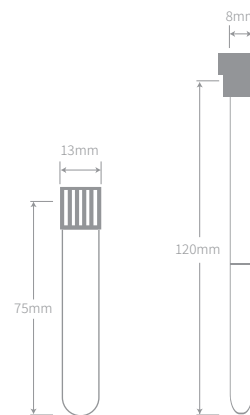
## ESR

ESR Tubes contain 3.2% sodium citrate for ESR test. ESR measurements refer to the Westergren method.

The tubes are available with an open or closed sedimentation system.

**Usage:** ESR Blood Collection Tubes are intended to be exclusively used for venous blood collection for determination of the Erythrocyte Sedimentation Rate.

**Specimen:** whole blood.



REF	Additive	Cap Colour	Tube Size (mm)	Draw Volume (mL)	Tube Material	Pack/Carton	Label
YY1810101-6P	Sodium Citrate	● Black	13x75	1.6mL	PET	100PCS/1200PCS	Paper/Transparent
YY1810101-6G	Sodium Citrate	● Black	13x75	1.6mL	GLASS	100PCS/1200PCS	Paper/Transparent
YY1810102-0P	Sodium Citrate	● Black	13x75	2mL	PET	100PCS/1200PCS	Paper/Transparent
YY1810102-0G	Sodium Citrate	● Black	13x75	2mL	GLASS	100PCS/1200PCS	Paper/Transparent
YY1810103-0P	Sodium Citrate	● Black	13x75	3mL	PET	100PCS/1200PCS	Paper/Transparent
YY1810103-0G	Sodium Citrate	● Black	13x75	3mL	GLASS	100PCS/1200PCS	Paper/Transparent
YY1810104-0P	Sodium Citrate	● Black	13x75	4mL	PET	100PCS/1200PCS	Paper/Transparent
YY1810104-0G	Sodium Citrate	● Black	13x75	4mL	GLASS	100PCS/1200PCS	Paper/Transparent
YY1810401-6P	Sodium Citrate	● Black	13x75	1.6mL	PET	100PCS/1200PCS	Paper/Transparent
YY1810401-6G	Sodium Citrate	● Black	13x75	1.6mL	GLASS	100PCS/1200PCS	Paper/Transparent

VACUUM



## No Additive

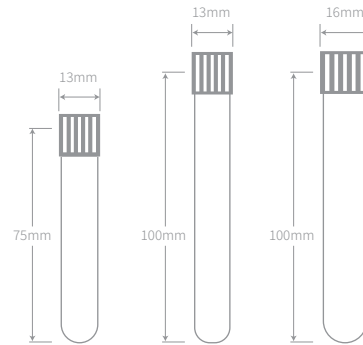
Plain Without Additives Blood Collection Tubes are intended to be used in laboratory mainly for biochemistry, immunological & serological tests.

**Usage:** researches of biological fluids in clinical chemistry, serology, immunology.

**Specimen:** serum or other biological fluids.

**Clotting time:** 60 minutes.

**Conditions of centrifugation:** 1300 g for 10 minutes. Before centrifuging the tubes with serum it is necessary to wait until blood clotting



REF	Additive	Cap Colour	Tube Size (mm)	Draw Volume (mL)	Tube Material	Pack/Carton	Label
YY1800101-0P	No Additive	● RED	13x75	1mL	PET	100PCS/1200PCS	Paper/Transparent
YY1800101-0G	No Additive	● RED	13x75	1mL	GLASS	100PCS/1200PCS	Paper/Transparent
YY1800102-0P	No Additive	● RED	13x75	2mL	PET	100PCS/1200PCS	Paper/Transparent
YY1800102-0G	No Additive	● RED	13x75	2mL	GLASS	100PCS/1200PCS	Paper/Transparent
YY1800103-0P	No Additive	● RED	13x75	3mL	PET	100PCS/1200PCS	Paper/Transparent
YY1800103-0G	No Additive	● RED	13x75	3mL	GLASS	100PCS/1200PCS	Paper/Transparent
YY1800104-0P	No Additive	● RED	13x75	4mL	PET	100PCS/1200PCS	Paper/Transparent
YY1800104-0G	No Additive	● RED	13x75	4mL	GLASS	100PCS/1200PCS	Paper/Transparent
YY1800205-0P	No Additive	● RED	13x100	5mL	PET	100PCS/1200PCS	Paper/Transparent
YY1800205-0G	No Additive	● RED	13x100	5mL	GLASS	100PCS/1200PCS	Paper/Transparent
YY1800206-0P	No Additive	● RED	13x100	6mL	PET	100PCS/1200PCS	Paper/Transparent
YY1800206-0G	No Additive	● RED	13x100	6mL	GLASS	100PCS/1200PCS	Paper/Transparent
YY1800207-0P	No Additive	● RED	13x100	7mL	PET	100PCS/1200PCS	Paper/Transparent
YY1800207-0G	No Additive	● RED	13x100	7mL	GLASS	100PCS/1200PCS	Paper/Transparent
YY1800308-0P	No Additive	● RED	16x100	8mL	PET	100PCS/1200PCS	Paper/Transparent
YY1800308-0G	No Additive	● RED	16x100	8mL	GLASS	100PCS/1200PCS	Paper/Transparent
YY1800309-0P	No Additive	● RED	16x100	9mL	PET	100PCS/1200PCS	Paper/Transparent
YY1800309-0G	No Additive	● RED	16x100	9mL	GLASS	100PCS/1200PCS	Paper/Transparent
YY1800310-0P	No Additive	● RED	16x100	10mL	PET	100PCS/1200PCS	Paper/Transparent
YY1800310-0G	No Additive	● RED	16x100	10mL	GLASS	100PCS/1200PCS	Paper/Transparent

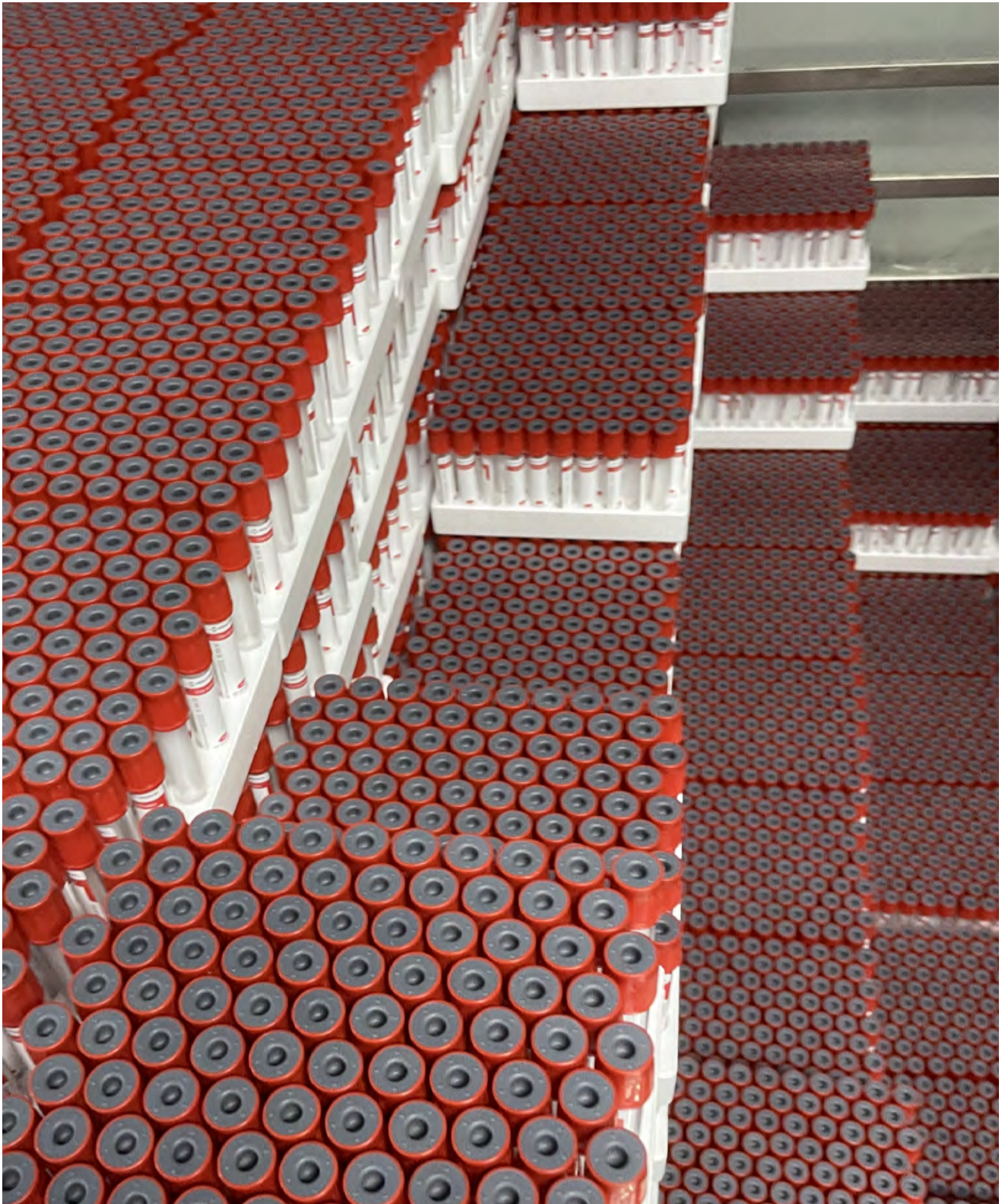


## Non Vacuum Blood Collection Tubes & Micro Blood Collection Tubes

Yongyue also provides products such as non-vacuum blood collection tubes, PRP, ACD and micro blood collection tubes.

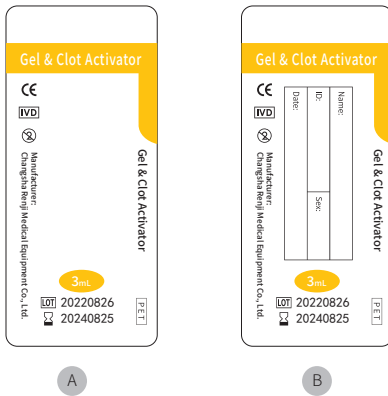
Since we have our own plastic factory, we even offer blood collection tube accessories for sale. (Blood collection tube cover and empty blood collection tube).

You can log in to our official website for more information, or contact our sales manager directly.

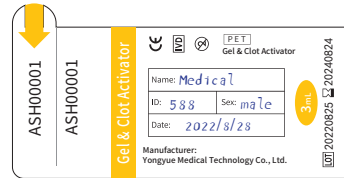
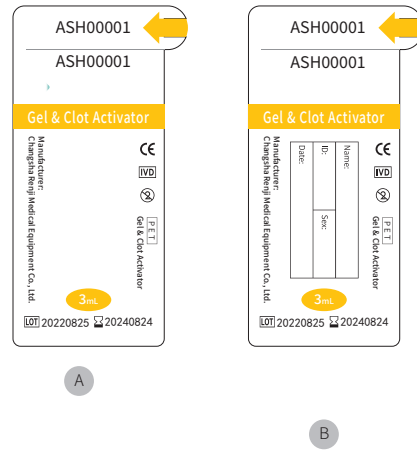


# Provides Two Styles Of Labels

Standard Label



Double Code Label



**A** Reserve a suitable blank area, which is convenient for sticking your own barcode, which is suitable for digital medical treatment.

**B** A general basic information form is reserved, and the information of the blood sampled person can be written by hand, which is simple and convenient.

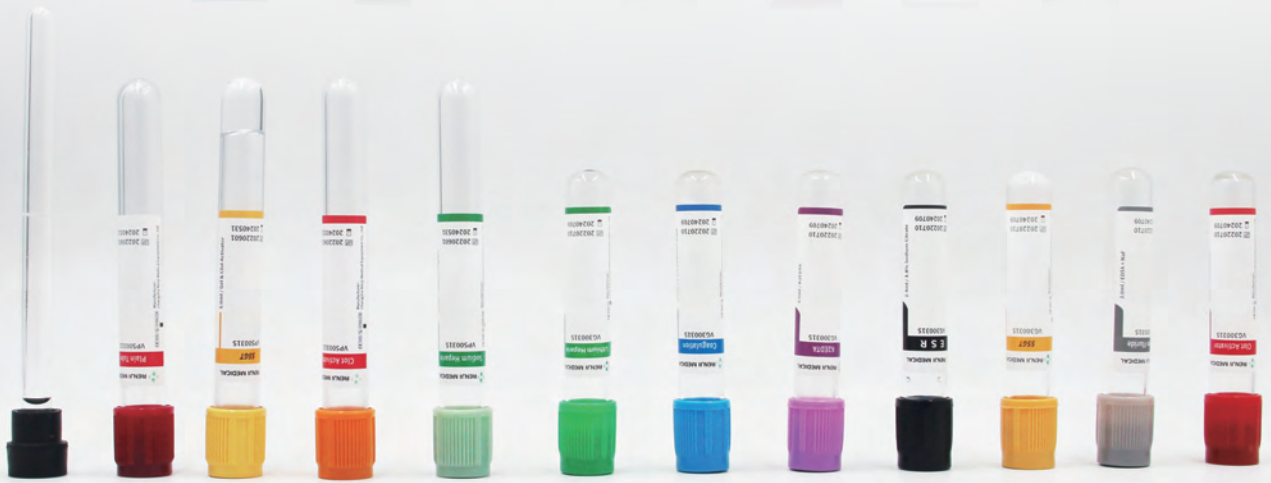
Opting for dual-code labels may require a higher order price and longer lead times.

\* in this directory is an example of the label, the manufacturer can change the appearance of the labels





# Product Photos





# YONGYUE MEDICAL

TO PROVIDE YOU WITH HIGH-QUALITY  
BLOOD COLLECTION TUBE PRODUCTS







Yongyue Medical Technology (Kunshan) Co., Ltd.

TEL: +86 15962404990 sales@yonyue.com

Website: <https://www.yonyue.com/>

Factory ADD: No. 6, Kingdie Road, Kunshan City, Jiangsu Province, China.